

Flood nozzles

FT 140/FT 90



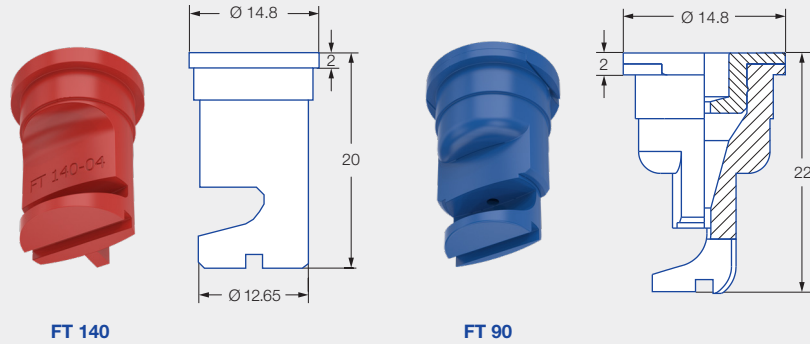
Crop production / Ground care

- Blockage-resistant flat spray nozzle
- Compact design

Advantages

- Large, round flow cross-sections
- Rinsing free of impact surface in the event of soiling
- Jet build-up already from 1 bar
- Clogging-resistant nozzle for gentle application of nematodes and compost tea
- FT 90 with particularly low drift thanks to pre-atomizer
- 90% drift reduction for FT 90-03 in Dropleg^{UL} and for band spraying
- Suitable for PWM

Dimensions in mm.



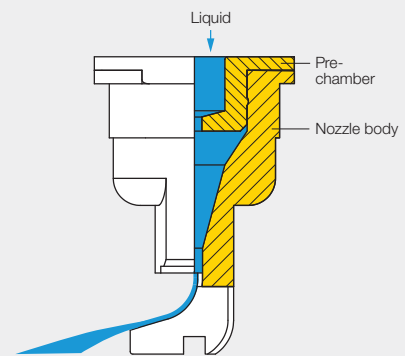
FT 140

FT 90

Series FT



Pre-atomizer can be removed without tools



JKI approval as loss-reducing:
90/75/50 %

G 2086



Current list at:
www.lechler.com/de-en/service/loss-reducing

Application:



Plant protection products and growth regulators



Backpack sprayer



Dropleg^{UL}



Greenhouse



Band spraying
FT 90

Technical data:



Nozzle sizes
01–20



Spray angles
90°, 140°



Materials
POM, stainless steel, brass



Pressure ranges
• FT 90: 1–3–6 bar
• FT 140: 1–2–3 bar



Recommended strainers
• 80 M 01
• 60 M 015–04
• 25 M 05–20





Droplet sizes
• FT 90:
Extremely coarse – fine
• FT 140:
Very coarse – fine



Union nut
Ø 12.65 mm



Spray heights
• FT 90°:
60–75–90 cm
• FT 140°:
40 cm

| | ISO 25358 | [l/min] | [l/ha]  | | | | | | | | l/ha  | | | | | | | |
|--------------------------------|-----------|---------|--|------|-------|-------|-----|-----|-----|-----|---|-----|-----|-----|-----|-----|----|----|
| | | | FT | | 1.0 | 0.23 | 46 | 35 | 28 | 23 | 20 | 17 | 31 | 23 | 18 | 15 | 13 | 12 |
| | | | 90 | 140 | | | | | | | | | | | | | | |
| FT 90-01 140-01 (80 M) | EC | | 1.0 | 0.23 | 46 | 35 | 28 | 23 | 20 | 17 | 31 | 23 | 18 | 15 | 13 | 12 | | |
| | C | VC | 2.0 | 0.32 | 64 | 48 | 38 | 32 | 27 | 24 | 43 | 32 | 26 | 21 | 18 | 16 | | |
| | M | C | 3.0 | 0.39 | 78 | 59 | 47 | 39 | 33 | 29 | 52 | 39 | 31 | 26 | 22 | 20 | | |
| | M | | 4.0 | 0.45 | 90 | 68 | 54 | 45 | 39 | 34 | 60 | 45 | 36 | 30 | 26 | 23 | | |
| FT 90-015 140-015 (60 M) | EC | VC | 1.0 | 0.34 | 68 | 51 | 41 | 34 | 29 | 26 | 45 | 34 | 27 | 23 | 19 | 17 | | |
| | M | M | 2.0 | 0.48 | 96 | 72 | 58 | 48 | 41 | 36 | 64 | 48 | 38 | 32 | 27 | 24 | | |
| | M | F | 3.0 | 0.59 | 118 | 89 | 71 | 59 | 51 | 44 | 79 | 59 | 47 | 39 | 34 | 30 | | |
| | M | | 4.0 | 0.68 | 136 | 102 | 82 | 68 | 58 | 51 | 91 | 68 | 54 | 45 | 39 | 34 | | |
| FT 90-02 140-02 (60 M) | VC | VC | 1.0 | 0.46 | 92 | 69 | 55 | 46 | 39 | 35 | 61 | 46 | 37 | 31 | 26 | 23 | | |
| | M | F | 2.0 | 0.65 | 130 | 98 | 78 | 65 | 56 | 49 | 87 | 65 | 52 | 43 | 37 | 33 | | |
| | M | F | 3.0 | 0.80 | 160 | 120 | 96 | 80 | 69 | 60 | 107 | 80 | 64 | 53 | 46 | 40 | | |
| | M | | 4.0 | 0.92 | 184 | 138 | 110 | 92 | 79 | 69 | 123 | 92 | 74 | 61 | 53 | 46 | | |
| FT 90-03 140-03 (60 M) | VC | C | 1.0 | 0.69 | 138 | 104 | 83 | 69 | 59 | 52 | 92 | 69 | 55 | 46 | 39 | 35 | | |
| | M | F | 2.0 | 0.97 | 194 | 146 | 116 | 97 | 83 | 73 | 129 | 97 | 78 | 65 | 55 | 49 | | |
| | M | F | 3.0 | 1.19 | 238 | 179 | 143 | 119 | 102 | 89 | 159 | 119 | 95 | 79 | 68 | 60 | | |
| | M | | 4.0 | 1.37 | 274 | 206 | 164 | 137 | 117 | 103 | 183 | 137 | 110 | 91 | 78 | 69 | | |
| FT 90-04 140-04 (60 M) | VC | M | 1.0 | 0.91 | 182 | 137 | 109 | 91 | 78 | 68 | 121 | 91 | 73 | 61 | 52 | 46 | | |
| | C | F | 2.0 | 1.29 | 258 | 194 | 155 | 129 | 111 | 97 | 172 | 129 | 103 | 86 | 74 | 65 | | |
| | M | M | 3.0 | 1.58 | 316 | 237 | 190 | 158 | 135 | 119 | 211 | 158 | 126 | 105 | 90 | 79 | | |
| | M | | 4.0 | 1.82 | 364 | 273 | 218 | 182 | 156 | 137 | 243 | 182 | 146 | 121 | 104 | 91 | | |
| FT 90-05 140-05 (25 M) | VC | M | 1.0 | 1.14 | 228 | 171 | 137 | 114 | 98 | 86 | 152 | 114 | 91 | 76 | 65 | 57 | | |
| | C | F | 2.0 | 1.61 | 322 | 242 | 193 | 161 | 138 | 121 | 215 | 161 | 129 | 107 | 92 | 81 | | |
| | C | M | 3.0 | 1.97 | 394 | 296 | 236 | 197 | 169 | 148 | 263 | 197 | 158 | 131 | 113 | 99 | | |
| | M | | 4.0 | 2.27 | 454 | 341 | 272 | 227 | 195 | 170 | 303 | 227 | 182 | 151 | 130 | 114 | | |
| FT 140-06 (25 M) | | M | 1.0 | 1.36 | 272 | 204 | 163 | 136 | 117 | 102 | 181 | 136 | 109 | 91 | 78 | 68 | | |
| | | M | 2.0 | 1.93 | 386 | 290 | 232 | 193 | 165 | 145 | 257 | 193 | 154 | 129 | 110 | 97 | | |
| | | M | 3.0 | 2.36 | 472 | 354 | 283 | 236 | 202 | 177 | 315 | 236 | 189 | 157 | 135 | 118 | | |
| FT 140-08 (25 M) | | M | 1.0 | 1.82 | 364 | 273 | 218 | 182 | 156 | 137 | 243 | 182 | 146 | 121 | 104 | 91 | | |
| | | M | 2.0 | 2.58 | 516 | 387 | 310 | 258 | 221 | 194 | 344 | 258 | 206 | 172 | 147 | 129 | | |
| | | M | 3.0 | 3.16 | 632 | 474 | 379 | 316 | 271 | 237 | 421 | 316 | 253 | 211 | 181 | 158 | | |
| FT 140-10 (25 M) | | M | 1.0 | 2.27 | 454 | 341 | 272 | 227 | 195 | 170 | 303 | 227 | 182 | 151 | 130 | 114 | | |
| | | M | 2.0 | 3.22 | 644 | 483 | 386 | 322 | 276 | 242 | 429 | 322 | 258 | 215 | 184 | 161 | | |
| | | M | 3.0 | 3.94 | 788 | 591 | 473 | 394 | 338 | 296 | 525 | 394 | 315 | 263 | 225 | 197 | | |
| FT 140-15 (25 M) | | C | 1.0 | 3.41 | 682 | 512 | 409 | 341 | 292 | 256 | 455 | 341 | 273 | 227 | 195 | 171 | | |
| | | C | 2.0 | 4.83 | 966 | 725 | 580 | 483 | 414 | 362 | 644 | 483 | 386 | 322 | 276 | 242 | | |
| | | C | 3.0 | 5.91 | 1,182 | 887 | 709 | 591 | 507 | 443 | 788 | 591 | 473 | 394 | 338 | 296 | | |
| FT 140-20 (25 M) | | C | 1.0 | 4.55 | 910 | 683 | 546 | 455 | 390 | 341 | 607 | 455 | 364 | 303 | 260 | 228 | | |
| | | C | 2.0 | 6.43 | 1,286 | 965 | 772 | 643 | 551 | 482 | 857 | 643 | 514 | 429 | 367 | 322 | | |
| | | C | 3.0 | 7.88 | 1,576 | 1,182 | 946 | 788 | 675 | 591 | 1,051 | 788 | 630 | 525 | 450 | 394 | | |

ISO 25358 classification according to droplet sizes:

| | |
|----|------------------|
| VF | Very fine |
| F | Fine |
| M | Medium |
| C | Coarse |
| VC | Very coarse |
| EC | Extremely coarse |
| UC | Ultra coarse |

Subject to modifications.

- Operating pressure at the nozzle (measured with diaphragm valve)
- The stated liter-per-hectare rates apply to water
- Verify the table values by gauging the flow rates prior to every spraying season
- Pay attention to uniform nozzle adjustment



The apps for Lechler agricultural nozzles make selection and use of the optimum nozzle even easier. Find out more here: www.lechler.com/de-en/service/apps



| Ordering example: | Series | + Spray angle | + Nozzle size | + Material | = Order No. |
|-------------------|--------|---------------|---------------|-----------------------|---------------|
| | FT | + 90° | + 01 | + (POM) | = FT 90-01 |
| | FT | + 140° | + 01 | + (POM) | = FT 140-01 |
| | FT | + 140° | + 01 | + M (brass) | = FT 140-01 M |
| | FT | + 140° | + 01 | + S (stainless steel) | = FT 140-01 S |

