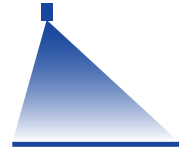


Wide-throw nozzles

OC



Crop production

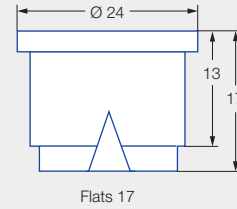
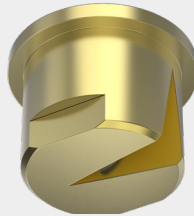
Ground care

Dimensions in mm.

- Off center nozzle with large throw width

Advantages

- Laterally offset orifice
- Asymmetrical flat spray nozzle
- Spraying range 6 to 8 m



Wide-throw nozzle OC

Application:



Greenhouse



Riding arena floor



Boomless application

Technical data:



Nozzle sizes
40–80



Spray angle
90°



Material
Brass



Pressure ranges
2–5 bar



Recommended strainer
25 M



Droplet sizes
Medium – fine



Width across flats
17 mm

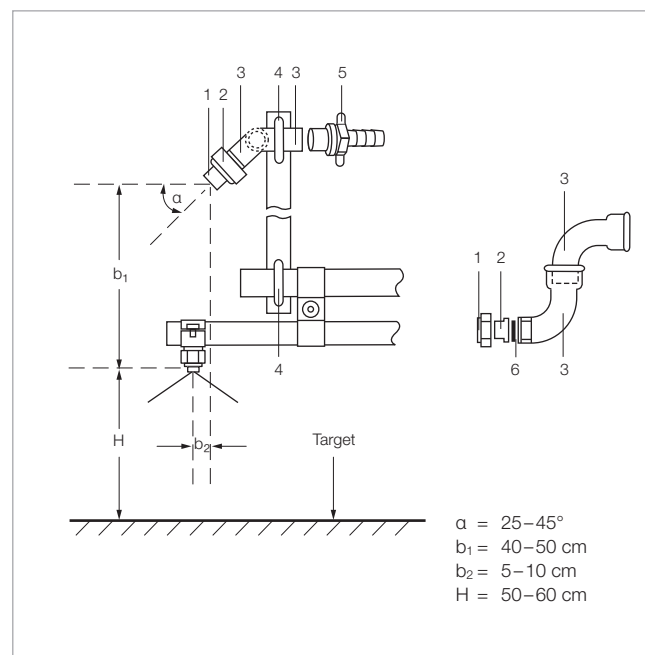
| | [l/min] | | | | Recommended nozzle combination with flat spray nozzles, e.g. with LU/IDK/IDKN nozzles |
|--------------|---------|-------|-------|-------|---|
| | 2.0 | 3.0 | 4.0 | 5.0 | |
| OC 40 | 12.50 | 15.30 | 17.70 | 19.80 | -03/-04 |
| OC 60 | 20.00 | 24.49 | 28.28 | 31.62 | -05/-06 |
| OC 80 | 25.00 | 30.62 | 35.36 | 39.53 | -06/-08 |

- The stated l/ha values apply to water
- Check the nozzles by gauging the flow rates prior to every spraying season
- Pressure measured at the nozzle

Mounting on boom/nozzle adjustment

A wide-throw nozzle is fitted at each end of the boom. The individual nozzles are supplied via additional section valves or branches (with T connectors) from existing sufficiently dimensioned feedlines. It must be ensured that the equipment has a pump with a sufficiently high delivery (additional flow rate for two wide-throw nozzles approx. 80 l/min).

| Position | Designation | Order No. |
|----------|---|--|
| 1 | Wide-throw nozzle | OC 40 OC 60 OC 80 |
| 2 | Union nut | 065.600.30.00 |
| 3 | Angle 90°, 3/4" male and female threads | see Page 135 |
| 4 | Pipe clamp | - |
| 5 | Hose shank, 3/4" | see Page 132 + 133 |
| 6 | Gasket | 065.640.72.00 |



Spraying range/effective working width

The spraying range can be influenced by the setting angle α :

| Setting angle, α [°] | Spraying range, a [m] |
|-----------------------------|-----------------------|
| 25 | 9.0 |
| 30 | 8.5 |
| 35 | 8.0 |
| 40 | 6.0 |
| 45 | 5.5 |

Assembly



Double nipple
Order No. **065.611.30**

Gasket
Order No. **065.640.72**

Wide-throw nozzle

Threaded cap 3/4"
Order No. **065.600.xx**
(brass or stainless steel)